



COPT'AIR

JET AIR HAND DRYER



REF 8 11 1377
Copt'air automatic
black alu



REF 8 11 1168
Copt'air automatic
metallic grey alu



REF 8 11 1167
Copt'air automatic
white alu



INNOVATION
ROTATING NOZZLE FOR
BETTER EFFICIENCY AND NEW
SENSATION

Automatic jet air hand dryer with cyclonic effect and aluminium cover, low power consumption (500 W). 3-year warranty.

PRODUCT + 'S



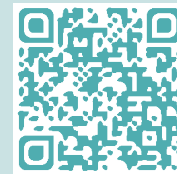
65% More economical than similar models



100% New drying sensations with cyclonic effect



100% Ideal for replacing an old hand dryer



FLASH ME TO
READ THE VIDEO

MADE IN FRANCE



ECO - CONCEPTION



COPT'AIR

JET AIR HAND DRYER



ELECTRICITY

Power supply	220/240 V - 50Hz
Rated power	500 W
Standby rated power	2 W
Motor type	Brush
Motor lifetime	1 500 h
Lifetime in drying number	360 000
Motor rotation speed	24 000 tr/min
Electrical insulation	Classe II
IP index	24
IK index	10
Electrical safety in case of malfunction	Yes
ON/OFF button	No

PERFORMANCE

Drying time	10 to 15 sec
Flow rate	90 m/s
Speed variation	130 m ³ /h
Air temperature at 10 cm from outlet	40°
Sound level	80 dB
Detection type	Infrared

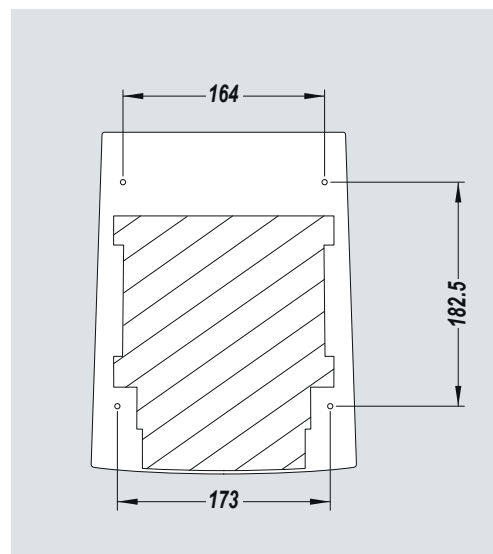
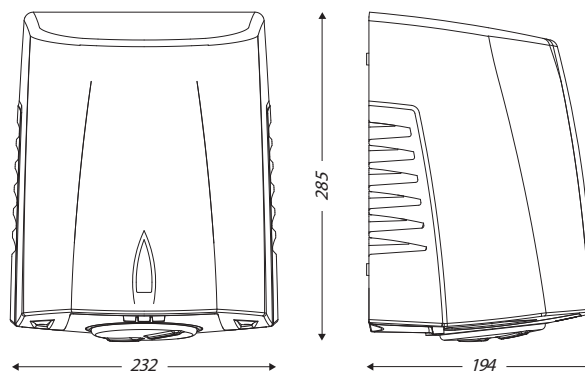
COMPOSITION

Material	Aluminium
Colors	Black / White / Grey
Anti-vandalism	Yes
Antibacterial treatment	No
Water collection tray	No
Direct drain	No
Drying zone light	Yes
Heating element	No
Filtered air	In option
Filter type	Anti-bacterial

LOGISTICS

Net weight	4.000 kg
Gross weight	4.510 kg
Logistics unit	4
HS Code	8516330000
Gencod - Black alu	3324120013779
Gencod - Metallic grey alu	3324120011683
Gencod - White alu	3324120011676

TECHNICAL DRAWINGS



Electrical input 

+ REF 5 30 1899
Anti-bacterial filter
UL1 : 1

INSTALLATION HEIGHT

Distance between floor and bottom of the product (in cm)

- Man : 130
- Woman : 125
- Children : 120
- Person with reduced mobility : 100

